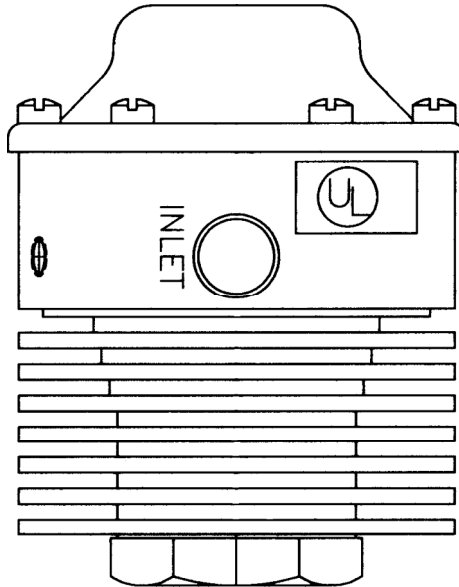


REGULATORS



11A17-001 REGULATOR



11A17-001

DESCRIPTION

The 11A17 vaporizer regulator (direct replacement for the Kohler 48 465 01) is a single stage regulator. It is an ambient air heated unit that does not require a direct engine fluid heating source such as engine coolant to perform the vaporization process. The unit can be used with liquid or vapor withdrawal systems.

SPECIFICATIONS

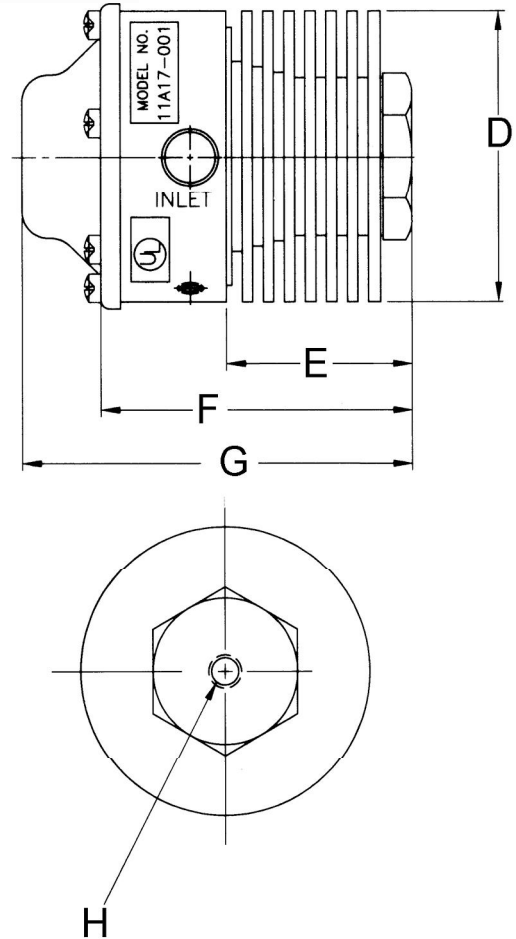
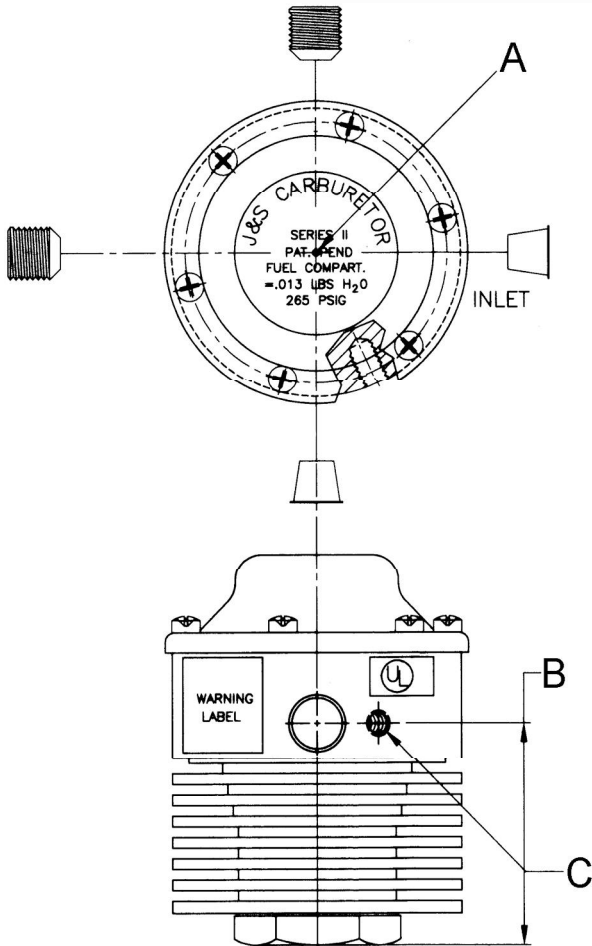
Fuel Type	LPG Liquid/Vapor
Inlet Pressure	
Maximum	265 psi (18.3 Bar)
Minimum	30 psi (207 kPa)
Outlet Pressure	9-12 psi (62.0-82.7kPa)
HP/kW	25 hp (18.6 kW)
Operating Temperature Range	-40°F to +250°F (-40°C to +121°C)
Fuel Filtration	40 micron
Heating Chamber Source.....	Air
Mounting Position.....	Vertical/horizontal
Diaphragm Material	NBR (Nitrile Butadiene Rubber)
Applications.....	Mobile, industrial and automotive
Certification	UL (AU1502) Inquire for specific ECE approval

11A17 REGULATOR

REGULATORS

DIMENSIONS

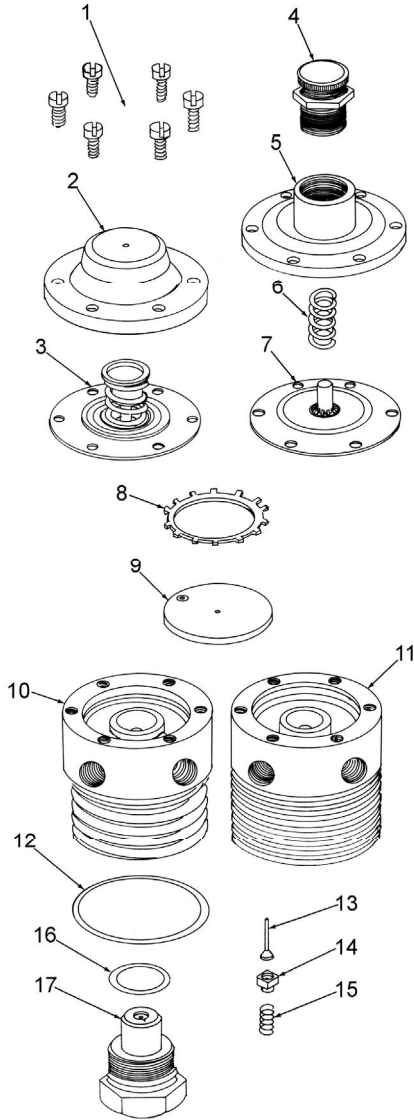
P/N 11A17-001



	A	B	C	D	E	F	G	H
		HEIGHT	DIA. MTG HOLE		LENGTH OF FINS	LENGTH BODY	OVERALL HEIGHT	BOTTOM MTG HOLE
PART #	VENT HOLE	MTG HOLE	HOLE	DIAMETER				
11A17-001	.06" (1.5mm)	2.20" (55.9mm)	1/4" 20 UNC X .38"	2.75" (69.9mm)	1.80" (45.7mm)	2.97" (75.4mm)	3.80" (96.52mm)	3/8" 16 UNC X .50"

REGULATORS

COMPONENTS



VAPORIZER, P/N 11A17-001

ITEM #	PART#	DESCRIPTION	QTY
1*	NSS	Screw, Cover	6
2	NSS	Cover	1
3*	NSS	Diaphragm Assy	1
4	NSS	Cap w/Locknut	4
5	NSS	Cover	1
6	NSS	Spring	1
7	NSS	Diaphragm Assy	1
8*	NSS	Retainer	1
9	NSS	Film Plate	1
10	NSS	Body	1
11	NSS	Body	1
12*	NSS	O-ring	1
13*	NSS	Valve & Stem	1
14*	NSS	Valve Guides	1
15*	NSS	Spring	1
16*	NSS	O-ring	1
17	NSS	Plug	1

*Included in Repair Kit P/N R11-27

REPAIR KIT

PART #	DESCRIPTION
R11-27	Kit, Repair Major



PDF
Complete

*Your complimentary
use period has ended.
Thank you for using
PDF Complete.*

[Click Here to upgrade to
Unlimited Pages and Expanded Features](#)

Garretson

11A17 REGULATOR

REGULATORS

