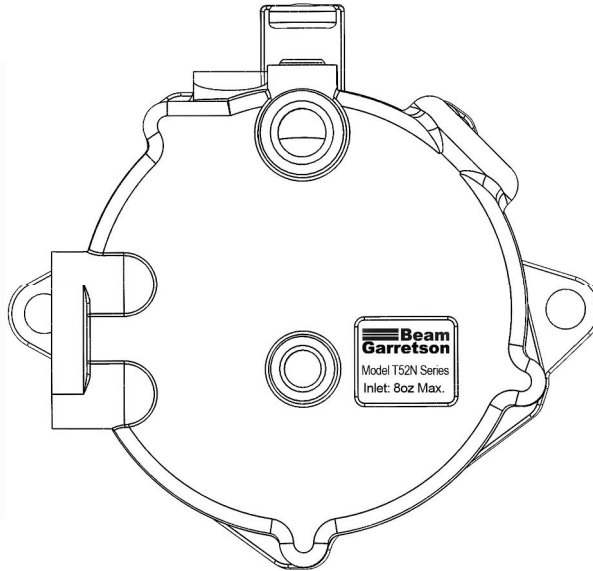


REGULATORS



MODEL T52 REGULATOR



DESCRIPTION

The Model T52 is a single stage secondary regulator suitable for LPG Vapor or Natural Gas. The model T52 is a secondary regulator and requires a primary regulator to reduce pressure to the T52's fuel inlet. Variations of the regulator include a vacuum lock, mechanical primer and new mounting tabs. The T52 regulator is completely rebuildable using an IMPCO repair kit.

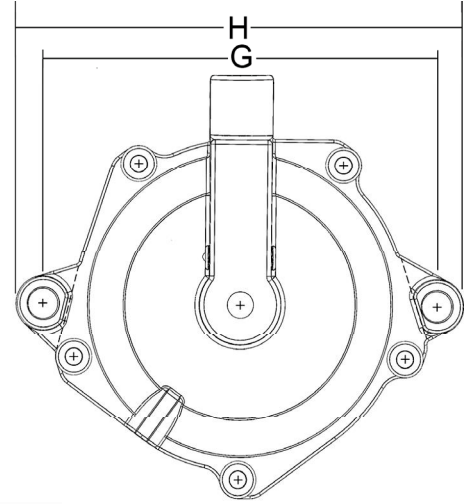
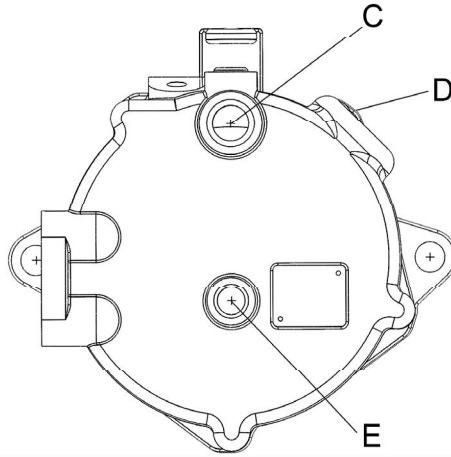
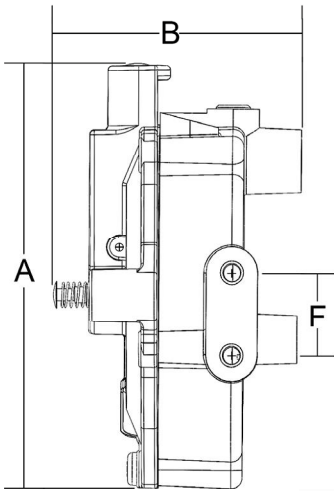
SPECIFICATIONS

Fuel Type	LPG Vapor or Natural Gas
Inlet Pressure (Maximum)	
T52B	5 psi (34.5 kPa)
T52N	8 ozs (3.45 kPa)
Outlet Pressure	-0.5" w.c. (-0.125 kPa) Nominal
HP(kW)	
T52B	40 hp (30 kW) LPG Vapor
T52B	25 hp (19 kW) Natural Gas
T52N	15 hp (11 kW) LPG Vapor
T52N	12 hp (9 kW) Natural Gas
Operating Temperature Range	-40°F to +250°F (-40°C to +121°C)
Fuel Filtration	40 Micron
Heating Chamber Source.....	None Required
Mounting Position.....	Vertical (outlet down) recommended. Horizontal position can be used when fuel contamination can be controlled with HD-5 or HD-10 specified LPG fuel.
Diaphragm Material.....	Hydrin
Application.....	Mobile, stationary, and industrial
Certification	UL (AU2317 & AU1502). Inquire for specific ECE approval

MODEL T52 REGULATOR

REGULATORS

DIMENSIONS



Dotted lines show perimeter of T52 without tabs

PART #	VACUUM			OVERALL HEIGHT	OVERALL DEPTH	FUEL INLET NPT	FUEL OUTLET NPT	VACUUM PORT NPT	MOUNTING		OVERALL WIDTH
	LOCK	PRIMER	TABS						HOLE SIZE/CENTER TO CENTER	TAB HOLE SIZE/CENTER TO CENTER	
T52B-N-2	N	N	2	131mm (5.14")	62.8mm/ (2.47")	1/4"	3/8"	-	6.35mm (1/4")/ 25.4mm (1.0")	9.1mm (.36")/ 120.3mm (4.7")	136.2mm (5.36")
T52B-N-N	N	N	-	131mm (5.14")	62.8mm/ (2.47")	1/4"	3/8"	-	6.35mm (1/4")/ 25.4mm (1.0")	-	113.0mm (4.45")
T52B-P-2	N	Y	2	131mm (5.14")	74.0mm/ (2.91")	1/4"	3/8"	-	6.35mm (1/4")/ 25.4mm (1.0")	9.1mm (.36")/ 120.3mm (4.7")	136.2mm (5.36")
T52B-P-N	N	Y	-	131mm (5.14")	74.0mm/ (2.91")	1/4"	3/8"	-	6.35mm (1/4")/ 25.4mm (1.0")	-	113.0mm (4.45")
T52B-V-2	Y	N	2	131mm (5.14")	62.8mm/ (2.47")	1/4"	3/8"	1/8"	6.35mm (1/4")/ 25.4mm (1.0")	9.1mm (.36")/ 120.3mm (4.7")	136.2mm (5.36")
T52B-V-N	Y	N	-	131mm (5.14")	62.8mm/ (2.47")	1/4"	3/8"	1/8"	6.35mm (1/4")/ 25.4mm (1.0")	-	113.0mm (4.45")
T52B-VP-2	Y	Y	2	131mm (5.14")	74.0mm/ (2.91")	1/4"	3/8"	1/8"	6.35mm (1/4")/ 25.4mm (1.0")	9.1mm (.36")/ 120.3mm (4.7")	136.2mm (5.36")
T52B-VP-N	Y	Y	-	131mm (5.14")	74.0mm/ (2.91")	1/4"	3/8"	1/8"	6.35mm (1/4")/ 25.4mm (1.0")	-	113.0mm (4.45")
T52N-N-2	N	N	2	131mm (5.14")	62.8mm/ (2.47")	1/4"	3/8"	-	6.35mm (1/4")/ 25.4mm (1.0")	9.1mm (.36")/ 120.3mm (4.7")	136.2mm (5.36")
T52N-N-N	N	N	-	131mm (5.14")	62.8mm/ (2.47")	1/4"	3/8"	-	6.35mm (1/4")/ 25.4mm (1.0")	-	113.0mm (4.45")
52N-D	N	N	-	131mm (5.14")	62.8mm/ (2.47")	1/4"	3/8"	-	6.35mm (1/4")/ 25.4mm (1.0")	-	113.0mm (4.45")
T52N-P-2	N	Y	2	131mm (5.14")	74.0mm/ (2.91")	1/4"	3/8"	-	6.35mm (1/4")/ 25.4mm (1.0")	9.1mm (.36")/ 120.3mm (4.7")	136.2mm (5.36")
T52N-P-N	N	Y	-	131mm (5.14")	74.0mm/ (2.91")	1/4"	3/8"	-	6.35mm (1/4")/ 25.4mm (1.0")	-	113.0mm (4.45")
T52N-V-2	Y	N	2	131mm (5.14")	62.8mm/ (2.47")	1/4"	3/8"	1/8"	6.35mm (1/4")/ 25.4mm (1.0")	9.1mm (.36")/ 120.3mm (4.7")	136.2mm (5.36")
T52N-V-N	Y	N	-	131mm (5.14")	62.8mm/ (2.47")	1/4"	3/8"	1/8"	6.35mm (1/4")/ 25.4mm (1.0")	-	113.0mm (4.45")
T52N-VP-2	Y	Y	2	131mm (5.14")	74.0mm/ (2.91")	1/4"	3/8"	1/8"	6.35mm (1/4")/ 25.4mm (1.0")	9.1mm (.36")/ 120.3mm (4.7")	136.2mm (5.36")
T52N-VP-N	Y	Y	-	131mm (5.14")	74.0mm/ (2.91")	1/4"	3/8"	1/8"	6.35mm (1/4")/ 25.4mm (1.0")	-	113.0mm (4.45")